

**AKIRA**  
makes life better

# Air Conditioner Service Manual



Большая библиотека технической документации  
<https://splitsystema48.ru/instrukcii-po-ekspluatácii-kondicionerov.html>  
каталоги, инструкции, сервисные мануалы, схемы.

# MODEL: AC-S19HGA

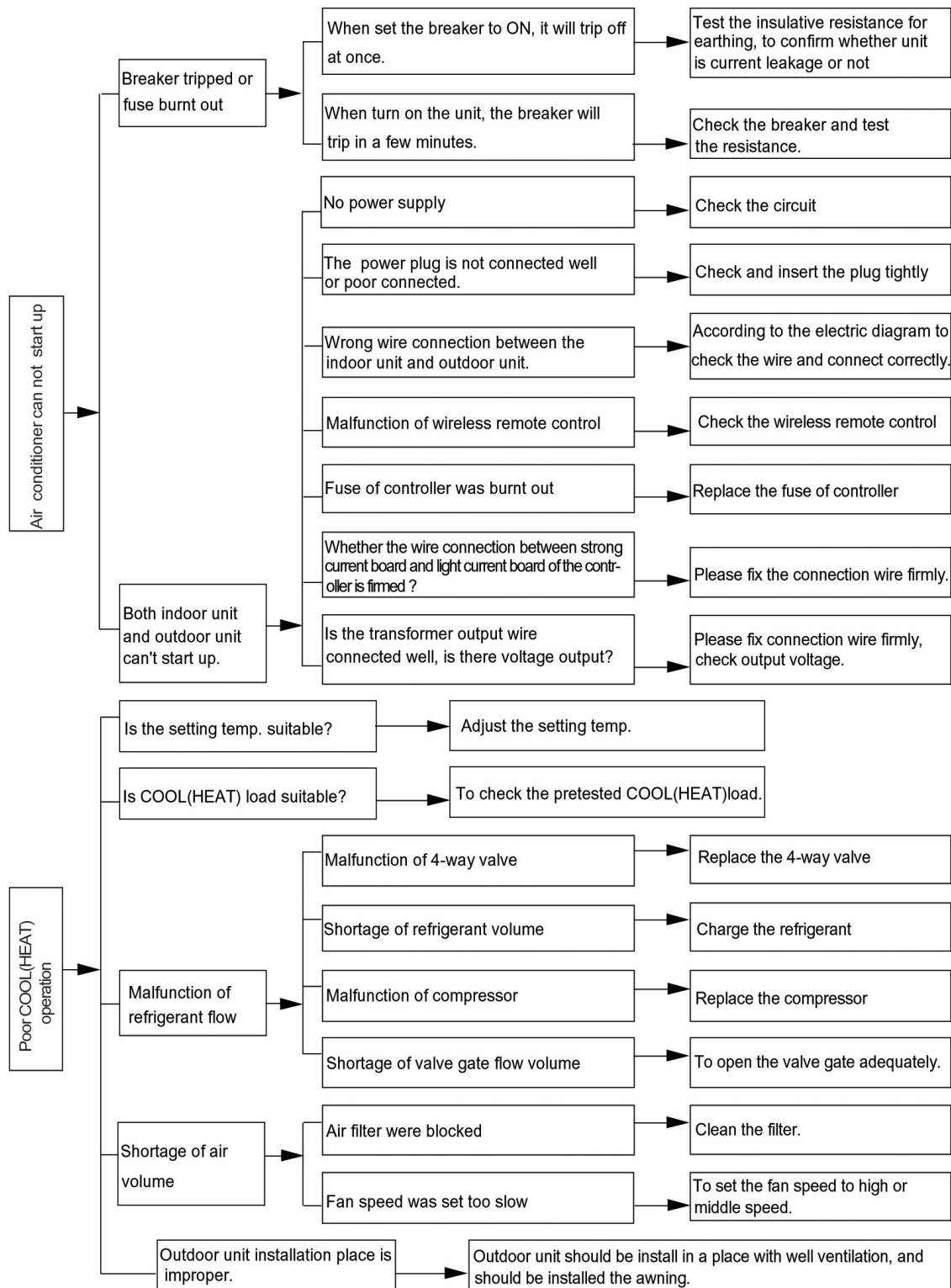
## CONTENTS

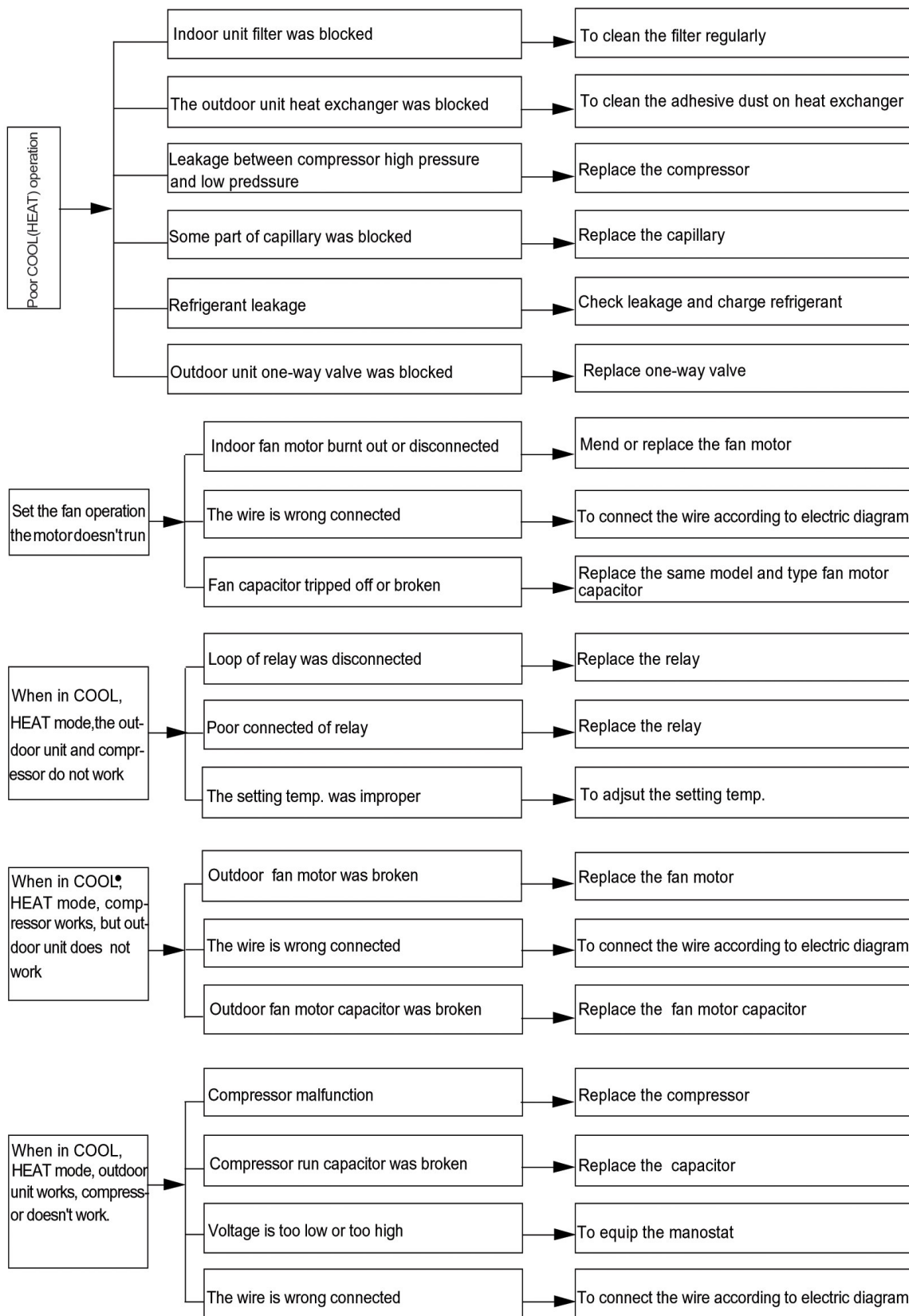
TECHNICAL SPECIFICATION.....	4
MULFUNCTION ANALYSIS.....	5
EXPLODED VIEW FOR OUTDOOR UNIT.....	8
PART LIST.....	9
EXPLODED VIEW FOR INDOOR UNIT.....	10
PART LIST.....	11
CIRCUIT DIAGRAM.....	12

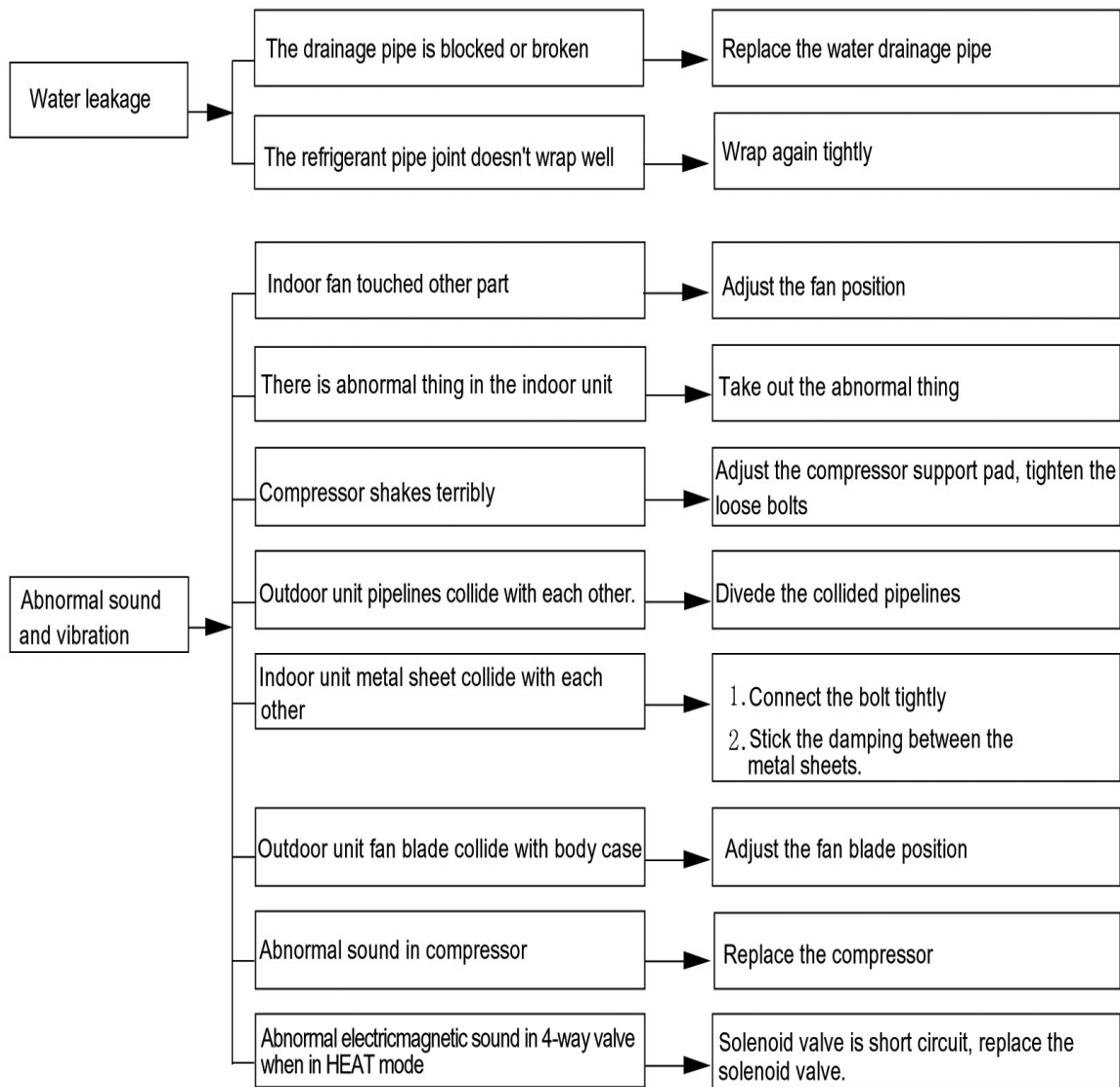
## TECHNICAL SPECIFICATION

Model		AC-S19HGA	
Function		Cooling	Heating
Power		Single Phase – 240V~ 50Hz	
Capacity	(W)	4500	4800
Rated Power	(W)	1900	1750
Rated Current	(A)	8.39	
Dehumidify	(l/h)	1.5	
E.E.R./C.O.P.	(W/W)	2.5	3
Indoor Unit	Rotate Speed Of Fan (r/min) (H/M/L)		1350/1200/1100
	Output power (w)		22
	Vane Type - Piece		Cross-flow vane-1
	Diameter – Length (mm)		Φ92
	Evaporator		Aluminum Sheet Copper Pipe Fin Type
	Pipe Diameter		Φ7
	Row - Distance		2-1.6, 1-1.5
	Average Of Working Face (m <sup>2</sup> )		0.242
	Guide Motor		MP24EA
	Power Of Motor (W)		2
	Control Mode/ Fuse (A)		Control 3.15A Transformer 0.2A
	Noise (H/M/L) dB (A)		44
	Outline Dimension (W/H/D)(mm)		907X290X195
	Package Dimension (W/H/D)(mm)		1058X366X317
	N.W./G.W. (Kg)		12
Outdoor unit	Compressor Type		Rotate Type
	L.R.A.(A)		33
	Throttle Type		Capillary
	Start Type		Start Of Capacitance
	Working Temperature (°C)		T1 (-7~43°C)
	Condenser		Aluminum Sheet Copper Pipe Fin Type
	Pipe Diameter		Φ9.52
	Row- Distance		2-1.4
	Average Of Working Face (m <sup>2</sup> )		0.396
	Rotate Speed Of Fan		885
	Power Of Fan (W)		48
	Vane Type - Piece		Axial-Flow Vane-1
	Vane Diameter (mm)		Φ400
	Defrost Way		Auto Defrost
	Noise dB (A)		57
	Outline Dimension (W/H/D)(mm)		840X540X320
	Package Dimension (W/H/D)(mm)		878X600X360
	N.W./G.W. (Kg)		40
Refrigerant/ Charge Amount (Kg)		R22/1.2	
Connect Pipe	Length		(m) 4
	Diameter	Liquid Pipe	(mm) Φ6 (1/4")
		Gas Pipe	(mm) Φ12 (1/2")
	Max. Distance	Height	(m) 10
		Length	(m) 20

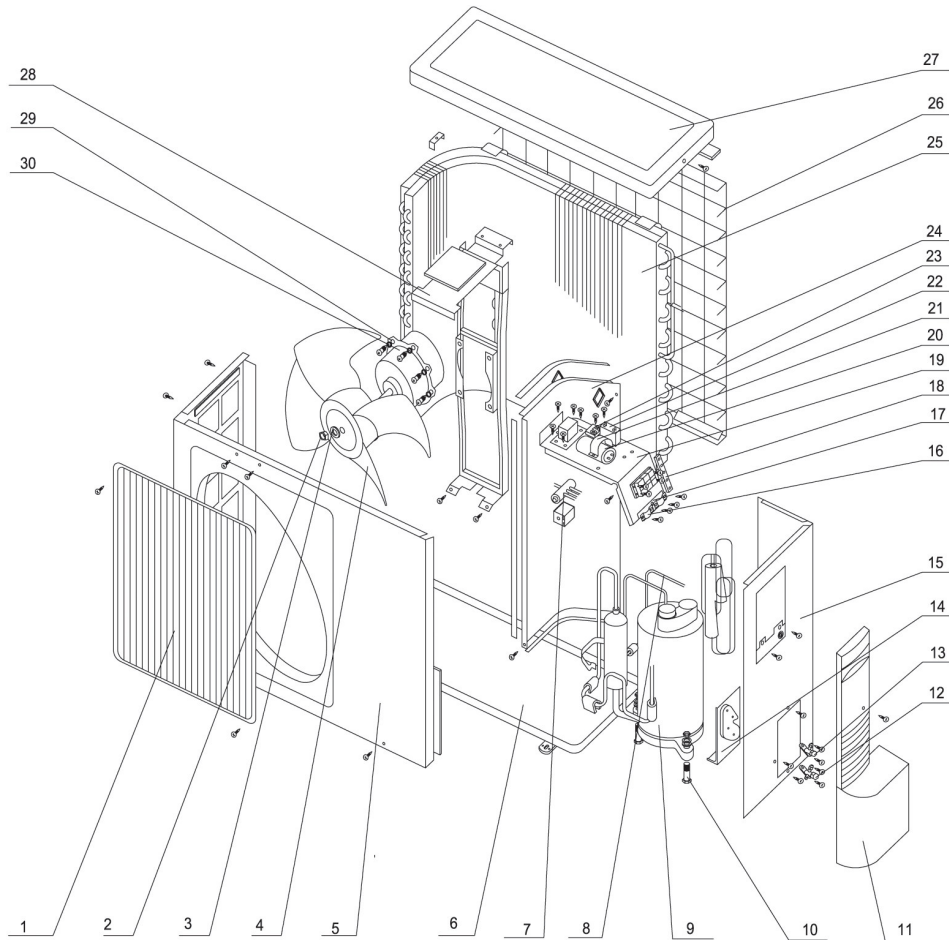
## MULFUNCTION ANALYSIS







## EXPLODED VIEW FOR OUTDOOR UNIT

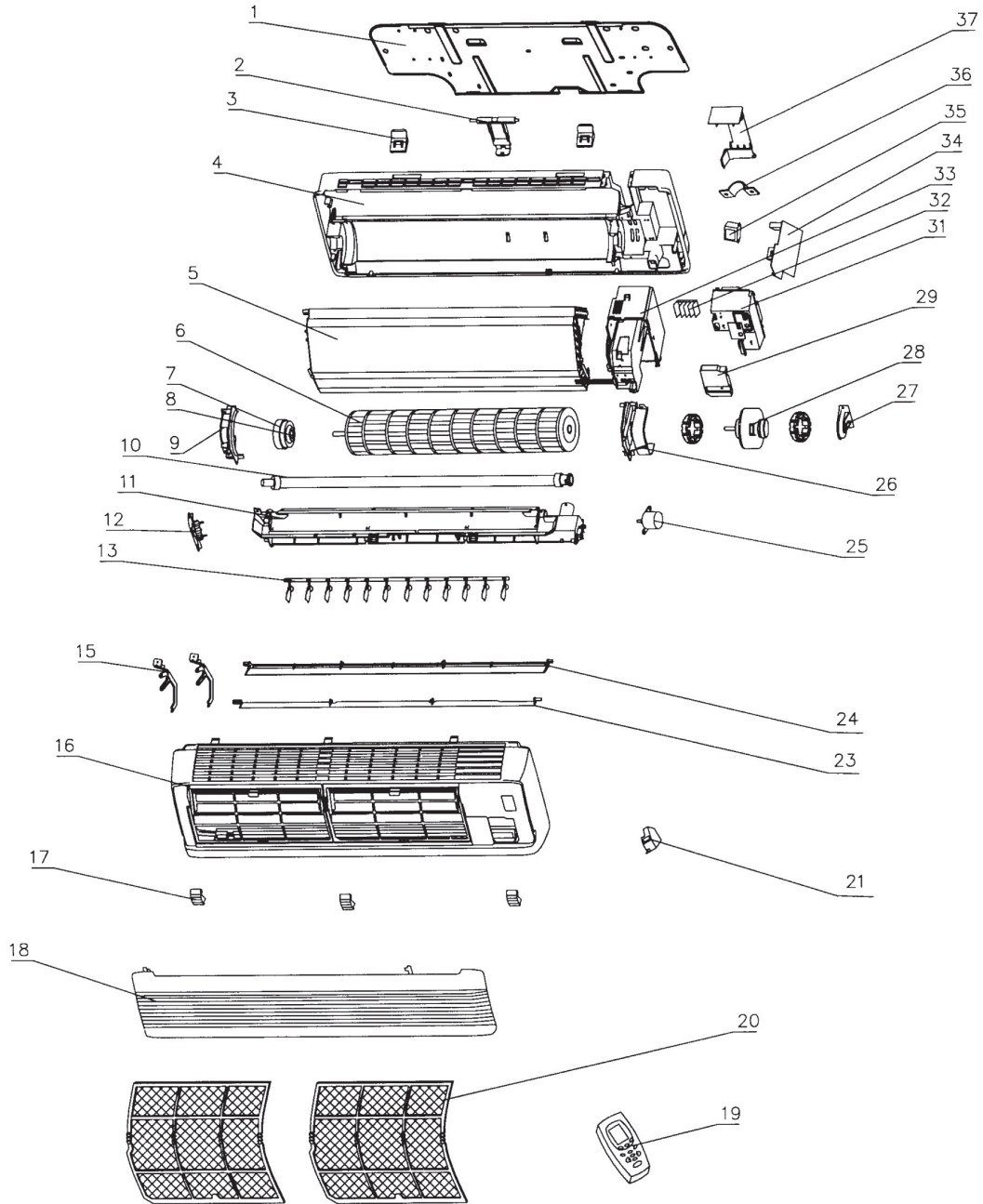




## PART LIST

No.	Description	Part No	Qty
1	Front Grill	22413431	1
2	Nut M6	70310132	1
3	Washer 6	70410252	1
4	Axial Flow Fan	10333413	1
5	Front Panel	01533428	1
6	Base Plate Ass'y	01213045	1
7	4-way Valve	43000403	1
8	4-way Valve	43000400	1
9	Capillary Ass'y	03003215	1
10	Compressor SHY33MC4-G	00100135	1
11	Nut M8 With Washer Compressor	70310014	3
12	Big Handle	26233433	1
13	Valve ½	07100147	1
14	Valve ¼	07100120	1
15	Valve Support	01713424	1
16	Right Side Plate Ass'y	01302000	1
17	Wire Clamp	71010103	2
18	Isolation Washer C	70410523	1
19	Terminal Board (3M) T386A	42011241	1
20	Electric Box Ass'y	01403117	1
21	Capacitor 50uF/440V	33000001	1
22	Capacitor Clamp	02143401	1
23	Capacitor CBB61 3uF/450V (UL/VDE/TUV)	33010027	1
24	Terminal Board 2-8	42011103	1
25	Clapboard	01233417	1
26	Condenser Ass'y	01103185	1
27	Rear Grill	01473030	1
28	Top Cover	012532611	1
29	Motor Support	01703391	1
30	Self-threading Screw ST4.8X16	70140165	4

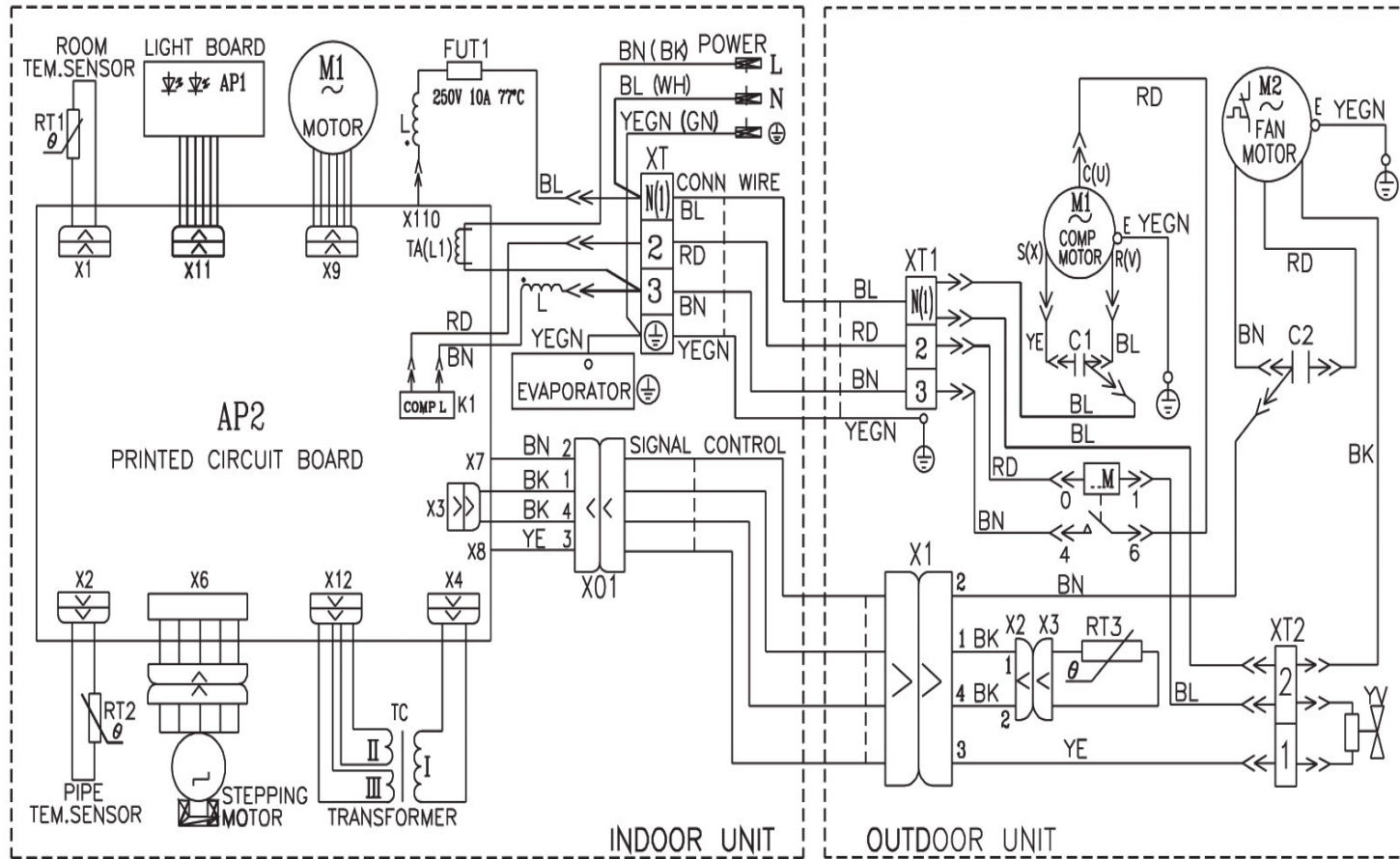
## EXPLODED VIEW FOR INDOOR UNIT



## PART LIST

No.	Description	Part No	Qty
1	Wall-Mounting Frame	01252384	1
2	Pipe Clamp	26112425	1
3	Frame Hook	26272421	2
4	Rear Case	22202021	1
5	Evaporator Ass'y	01002017	1
6	Cross Flow Fan	10352405	1
7	Ring of Bearing	76712015	1
8	Fan Bearing	76512210	1
9	Left Motor Clamp	26112428	1
10	Drain Pipe	05232411	1
11	Water Tray	20182440	1
12	Stepping Motor Gear	10592001	1
13	Air Guider System in Water Tray Ass'y	121222701	1
14	Guide Louver Holder	24212429	2
15	Front Case (silk-screen)	20002613	1
16	Screw Cap	24252440	3
17	Front Panel Ass'y	200021601	1
18	Remote Controller Y512F	30515002	1
19	Filter	11122440	2
20	Supporter	24212013	1
21	Small Guide Louver	10512428	1
22	Big Guide Louver	10512427	1
23	Stepping Motor MP24GA	15212102	1
24	Right Motor Clamp	26112429	1
25	Motor Bearing Holder	26152423	1
26	Motor FN22A	15012062	1
27	Wiring Cover Plate	22242411	1
28	Electric Box Cover	22242017	1
29	Terminal Board GT4A3A4	42011138	1
30	Electric Box	20102108	1
31	Main PCB 5252	30035357	1
32	Receiver Board JD	30046042	1
33	Transformer 48X26G	43110233	1
34	Wire Clamp	71010103	1
35	Rear Clamp	26112430	1
36	Power Cord Ass'y	40020389	1
37	Connecting Cable	40020440	1
38	Signal Cable	40030325	1
39	Wall-Mounting Frame	01252384	1
40	Pipe Clamp	26112425	1

## CIRCUIT DIAGRAM





# АКТРА

Большая библиотека технической документации

<https://splitsystema48.ru/instrukcii-po-ekspluatcii-kondicionerov.html>

каталоги, инструкции, сервисные мануалы, схемы.